

Cast iron fireboxes & fireplaces

by Seguin





summary

Seguin Group
Why choose
seguin ?

4



Design & authentic
fireplaces

10



Cast iron
fireboxes

24





SEGUIN GROUP
FRENCH MANUFACTURER
AND TRAINING CENTER
AT CLIENT'S SERVICE



Groupe Seguin has more than 100 people working in Seguin head company in the Auvergne region and its 2 production units: JC bordelet (in Montpellier, FR) and Axis steel fireboxes (in Belley, FR).

Groupe Seguin has a strong network of dealers in France and worldwide, active on all the segments of the market, providing high quality products in technology and design.

As a strong pillar of Groupe Seguin development, the training center (located in Randan, FR) services a hundred of trainings every year, on the products, their installation and use. This professionalization is enhanced in 2016 with the 400 square meters extension of the training center .

Groupe Seguin and its dealers have established strong relations based upon confidence and a long-term approach. Seguin dealers are professional craftspeople and guarantee expertise in Groupe Seguin products and their installations.



WHY CHOOSE SEGUIN ?



10 years
Guarantee



100% made in France

For years, we have developed strong relationships with local companies to make fireboxes 100% made in France.

This proximity allows us to ensure an efficient monitoring and to offer a guarantee of quality and traceability of our products. The final assembly process and the finishing operations, our core profession, are made in our factory.

Reliability

The doors' opening mechanism is assembled with safety nuts, preventing the risks of locking or loosening. The lift doors are equipped with chains and lubricated gears, ensuring a perfect alignment and a quiet operation.

Cast iron of quality

To reach the highest quality level, our foundries respect our own detailed specifications. All our fireboxes are manufactured using pure cast iron only.

Comfort

Seguin fireboxes are equipped with an air wash system, reducing cleaning constraints.

Technical assets

The damper mechanism in the smoke flue allows high efficiency levels up to 75%. The damper is adjustable in width to guarantee optimal operation of your firebox, and this whatever the type of smoke flues. The damper mechanism prevents the door from being opened while the damper is closed, so as to avoid smoke release into the room.

Double combustion and Air distribution system

More efficient, fuel (wood) savings, reduction of emissions for the great comfort of the users and for the respect of the environment.

All our fireboxes are guaranteed for 10 years.

FIREBOXES NEW GENERATION

THE DOUBLE COMBUSTION

Double air flow system - DAFS (exclusive patented system)

DAFS

Advantages

- Improved performance
- Superior efficiency
- Environmental friendliness
- Cleaner glasses

EMISSIONS	< 35 mg
Efficiency	75/77%*
CO	< 0,12%

*(depending on the model)



CONNECTION TO THE OUTSIDE AIR

In order to answer to new passive houses' requirements, most of our fireboxes are no more dependant on the combustion air originally taken inside your home. Now, the fireboxes directly collect fresh air from outside your home.

THE WIDER RANGE ON THE MARKET



IHS System

A REVOLUTION IN THE WORLD OF WOOD HEATING



The **Seguin Group** presents the **first automatic regulation system** with a remote control on its wood heating appliances.

More than 5 000 hours of testings to develop this fantastic innovation for the heating comfort, the daily use and the environment. With the collaboration of the Copenhagen university, Hwam and Seguin have created an electronic regulation system of the combustion.

Why the IHS system?

Simply because it is the first system which allows the analysis in real time of the combustion stages inside the appliance (ignition – high speed level – optimal combustion), from measurements, every 3 seconds, of the composition and the temperature of the smokes.

Wood logs are different from pellets and require more delicacy for a good functioning, **the IHS system is there for that !**

Autopilot IHS™

The most advanced and performant system on the market



The remote control measures the ambient temperature, wireless transmitted to the electronic card of the firebox. The stove regulates automatically the air supply, the combustion and controls the temperature.

Intelligent system

The Autopilot IHS intelligently pilots the air admission and ensures optimally its distribution thanks to the electronic regulation of 3 independent air intakes. Optimal combustion, environment-friendly and energy savings.

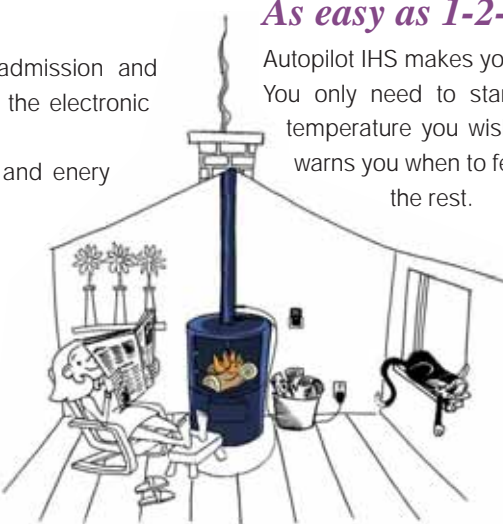
Energy savings and performance

The Autopilot IHS system increases by 17% the efficiency, reduces by 50% wood consumption, in addition it decreases particles emissions, and all this with the capability to adjust the requested temperature in the house.

As easy as 1-2-3

Autopilot IHS makes your life easier.

You only need to start the fire and to adjust the ambient temperature you wish, the remote control will automatically warns you when to feed the fire again. Autopilot IHS handles the rest.



1 Start your fire as usual



2 Adjust the ambient temperature



3 The remote warns you when to feed the fire gain





Design & authentic fireplaces



Design fireplaces



1 | MIDLAND ■ Ref.: C01M10
Formwork front-view fireplace.
Softened concrete, polished and old oak.
Model presented with **VISIO 8** firebox.

2 | ANTAO ■ Ref.: C01A03
Formwork front-view fireplace.
Polished Concrete frame.
Model presented with
EUROPA 7 EVOLUTION «BLACK LINE» firebox.

3 | LAYLA III ■ Ref.: C01L043
Formwork front-view fireplace.
Monobloc metal frame, 3.5cm width.
Black painting finishing.
Model presented with
EUROPA 7 EVOLUTION VL firebox.

4 | TANAGA ■ Ref.: C01T02
Dissymmetric front-view fireplace.
Polished concrete frame with
metal pieces inlay «rusty steel».
Model presented with
EUROPA 7 EVOLUTION «BLACK LINE» firebox.



1 | MIDLAND



2 | ANTAO



3 | LAYLA III



4 | TANAGA



Design fireplaces



1 | MALKA ■ Ref.: C01M21

Formwork front-view fireplace. Off-white waxed effect frame (Hearth floor and lintel) Ebony black waxed effect appearance « wood » (stone jambs). Model presented with **VISIO 8** firebox.

2 | MATYRA ■ Ref.: C01M19

Front-view fireplace. Off-white waxed effect. Model presented with **EUROPA 7 EVOLUTION 3 GLASSES** firebox.

3 | ATEN ■ Ref.: C01A21

Front-view fireplace on base with smooth «Estailade» stone. Ebony black waxed effect hearth floor and bench. Model presented with **VISIO 8** firebox.

4 | ANGARA ■ Ref.: C01A16

Formwork corner fireplace. «Fjord» marble. Metal corner frame CM3. Decorative metal alcoves as an option. Model presented with **EUROPA 7 EVOLUTION** firebox, steel door.





Design fireplaces

1 | ORFEO ■ Ref.: C01O06
Formwork front-view fireplace.
Exotic grey marble and Kilkenny stone.
Metallic log box.
Model presented with **VISIO 8** firebox.

2 | TOSCA ■ Ref.: C01T09
Front-view fireplace on base (not supplied).
Bench with light-grey waxed effect.
Monobloc metal frame 3 sides «rusty steel»
Model presented with **VISIO 8** firebox.

3 | MONTERO ■ Ref.: C01M17
Front-view fireplace on base.
Smooth «Estailade» stone.
Exotic grey marble bench.
Model presented with **VISIO 8** firebox.



1 | ORFEO



2 | TOSCA



3 | MONTERO



Design fireplaces



1 | CALISTO ■ Ref.: C01C041
Formwork front-view fireplace.
Monobloc black frame.
Model presented
with **VISIO 8 BLACK LINE** firebox.

2 | ERAKIS ■ Ref.: C01E072
Formwork front-view fireplace (not supplied)
«Wengé» marble cladding.
Monobloc metal frame, 3.5cm width,
black paint finishing.
Model presented with **VISIO 8** firebox.

3 | AZOR ■ Ref.: C01A22
Formwork front-view fireplace.
Monobloc black frame.
Model presented with **EUROPA 7 EVOLUTION
BLACK LINE** firebox.

4 | ELKO ■ Ref.: C01E02
Front-view firebox on base.
Softened and polished concrete.
Model presented with
**EUROPA 7 EVOLUTION 3 SIDES
«BLACK LINE»** firebox.



1 | CALISTO



2 | ERAKIS



3 | AZOR



4 | ELKO



Authentic fireplaces



1 | ISABELLE ■ Ref.: C03I09
Front-view fireplace
with moulded «Estallade» stone.
Model presented with
SUPER 8 firebox.

2 | ANJOU ■ Ref.: C03A07
Front-view fireplace with Gard stone.
Moulded shelf.
Model presented with SUPER 9 firebox.
(Nickelled frame on door as an option)

1 | ISABELLE



2 | ANJOU



3 | SAPHO



3 | SAPHO ■ Ref.: C03S18
3 Sided fireplace with white
«Dordogne» stone.
Model presented with
MULTIVISION F 0705 firebox.
(Brassed cast-iron door as an option)

Authentic fireplaces



1 | ALPHA ■ Ref.: C01A01

Corner fireplace with «Gard» stone.
Based rubblestones to build on site.
«Cévennes» briquettes. Solid oak wood beam.
Model presented with

EUROPA 7 EVOLUTION firebox.

2 | DOMAINE ■ Ref.: C01D05

External corner fireplace with «Gard» stone.
Based rubblestones to build on site.
«Cévennes» briquettes. Solid oak wood beam.
Model presented with

EUROPA 7 EVOLUTION LATERAL VISION firebox.
(Brass frame on door as an option).

1 | ALPHA



3 | SAPHO ■ Ref.: C03S18
3 Sided fireplace with white «Dordogne» stone.
Model presented with
MULTIVISION F 0705 firebox.
(Brassed cast-iron door as an option)



2 | DOMAINE



3 | SAPHO

Cast iron fireboxes



The appliances comply with the European norm EN13229
Cast iron fireboxes are guaranteed 10 years
Integral and Insert 3000 are guaranteed 5 years

RUBIS

Ref.: F0100

- Flue collar valve: with adjustable sealing
- Swing-door: the door is blocked when the valve is closed

OPTIONS :

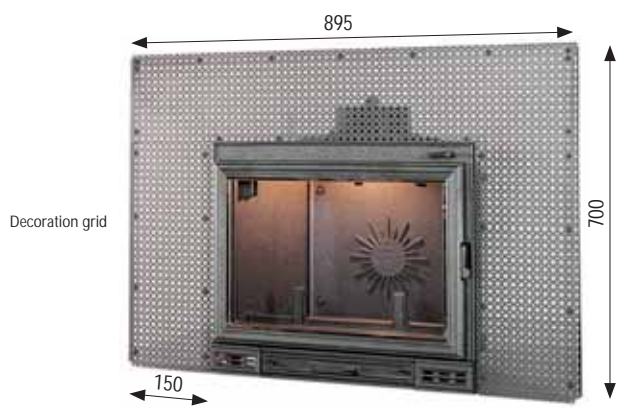
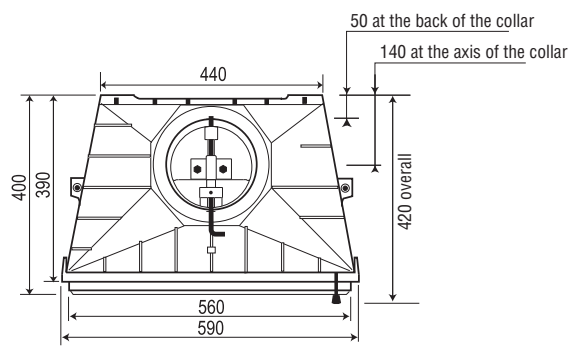
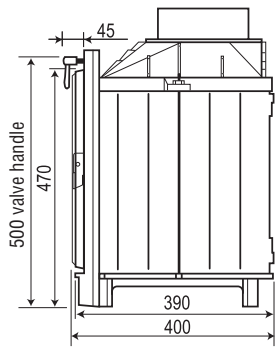
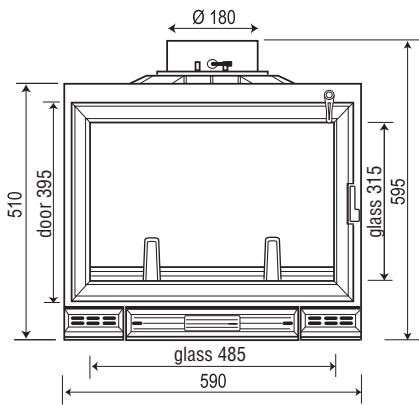
- Brass or stainless steel decoration around the door

Exit Ø 18 cm



Nominal output	7-10 kW
Efficiency	73,40 %
CO emission (% to 13% O2)	0,28%
Facade	59 cm
Logs	45 cm
Weight	105 kg

* according to EN 13229 norm



CELSIUS

Ref.: F0200

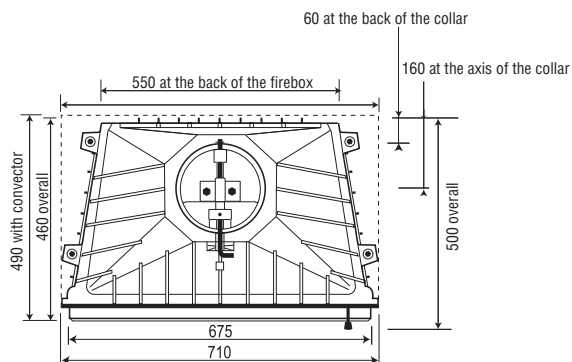
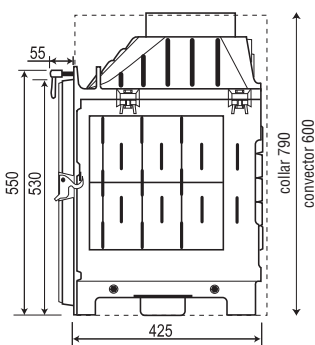
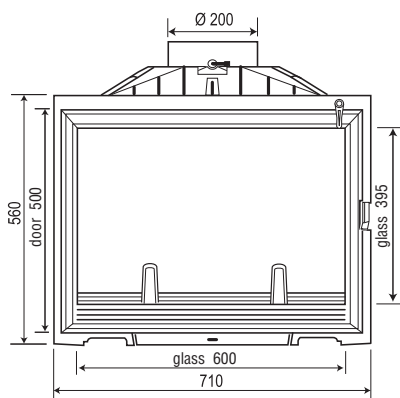
- Flue collar valve: with adjustable sealing
- Swing-door: the door is blocked when the valve is closed

OPTIONS :

- Convector
- Brass or stainless steel decoration around the door

Nominal output	8-12 kW
Efficiency	73,20 %
CO emission (% to 13% O ₂)	0,25%
Facade	71 cm
Logs	55 cm
Weight	140 kg

* according to EN 13229 norm



Retractable door

SUNFLAM

Ref.: F0300

- Flue collar valve: with adjustable sealing
- Swing-door: the door is blocked when the valve is closed
- Retractable door : the valve automatically opens at the opening of the door.

OPTIONS:

- Retractable door
- Convector
- Brass or stainless steel decoration around the door
- Decoration for Facade 80 cm
- Adapter for double combustion connection Ref : A0210

Exit Ø 20 cm



Facade	71 ou 80 cm
Heating volume (as an indication)	420 m ³
Logs up to	55 cm
Weight	155 kg

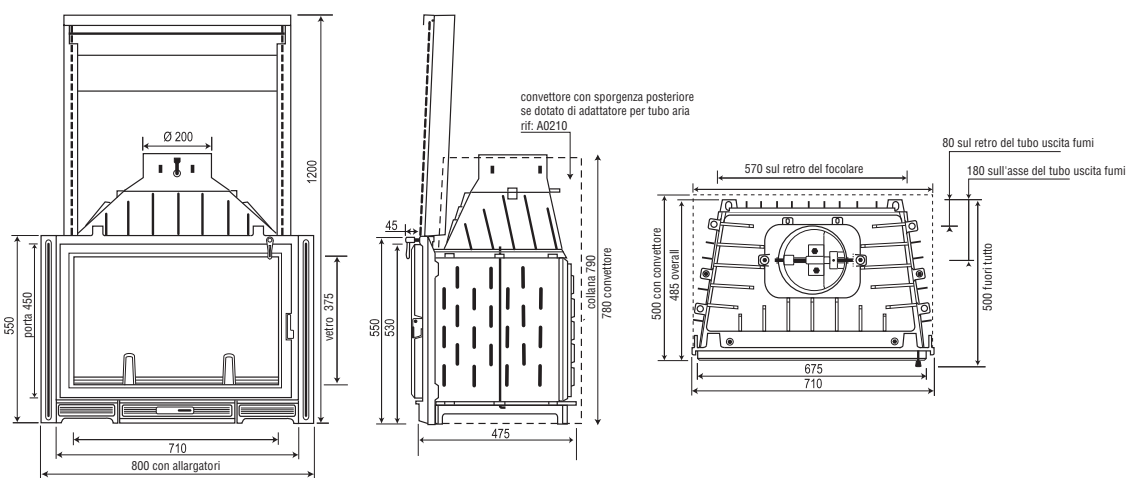
*according to EN 13229 norm

WITH DAFS

Nominal output	9,5 kW*
Efficiency DAFS	75,30%*
CO emission (% to 13% O ₂) DAFS	0,11%
Particle emissions	31 mg/Nm ³

WITHOUT DAFS

Nominal output	12 kW*
Efficiency	73,20%*
CO emission (% to 13% O ₂)	0,25%



Facade 80 cm



Convector



DAFS

SPITFLAM

Ref.: F1611

Exit Ø20 cm



Ash drawer with an air slide



Incorporated door handle.



Flame-breaker baffle
Limits the flames rising in the flue and allows a better diffusion of the heat in the flue.

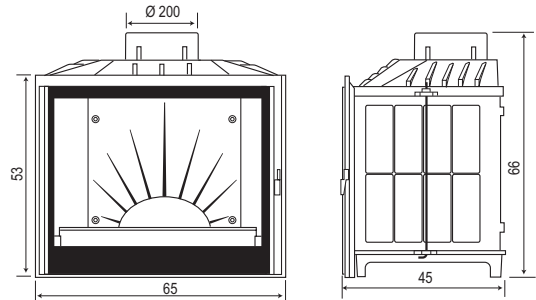


Flue collar valve with adjustable sealing
Optimization of the depression inside the firebox

The Spitflam is completely manufactured in cast iron, allowing a better efficiency level. With a perfect finishing aspect, the Spitflam is equipped with a screen-printed glass, an integrated handle and a decorative plate which can be easily dismantled (unique model). The valve control system prevents the door opening when the valve is closed, this system avoids smoke spillage. Clear out the ashes is simple thanks to the ash drawer. The glass is resistant to high temperature up to 760°. The Spitflam is delivered with a flame-breaker baffle. This firebox functions with wood only. It complies with EN 13229 norm.

Nominal output	7-11 kW
Efficiency	73,40%
CO emission (% to 13% O2)	0,28%
Facade	65 cm
Logs up to	50 cm
Weight	116 kg

The efficiency performances (>70%) and the rate of CO emission (<0.3%) rank the Spitflam in class 1 of the European norm 13229)



KITEFLAM

Ref.: F1400

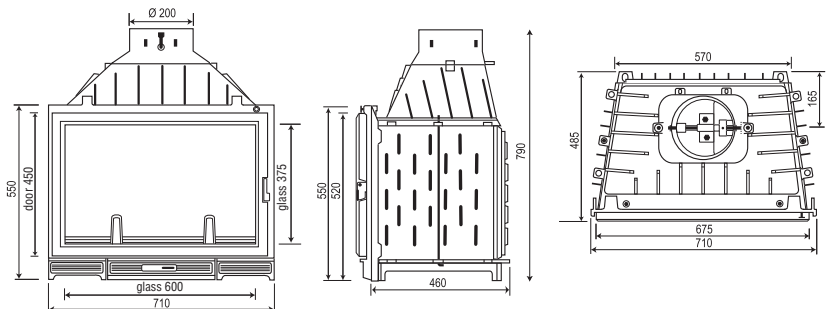
Exit Ø20 cm



THIS FIREBOX IS AVAILABLE WITH THE DOUBLE COMBUSTION OPTION DAFS

Nominal output	12 kW*
Efficiency	73,20%*
CO emission (% to 13% O2)	0,25%
Double combustion (DAFS)	9,5 kW*
Efficiency (DAFS)	75,3%*
CO emission (% to 13% O2) (DAFS)	0,11%
Facade	71 cm
Logs	up to 55 cm
Weight	150 kg

*according to EN 13229 norm



EUROPA 7

Ref.: F0400

- Flue collar valve: with adjustable sealing
- Swing-door: the door is blocked when the valve is closed
- Retractable door : the valve automatically opens at the opening of the door.

OPTIONS:

- Retractable door
- Convector
- Brass or stainless steel decoration around the door
- Brass or nickel finishing on cast iron door
- Seguin Déco door (stainless steel finishing)
- Decoration for facade 80 cm
- Double combustion

Exit Ø20 cm



Facade	71 ou 80 cm
Logs up to	up to 55 cm
Weight	150 kg

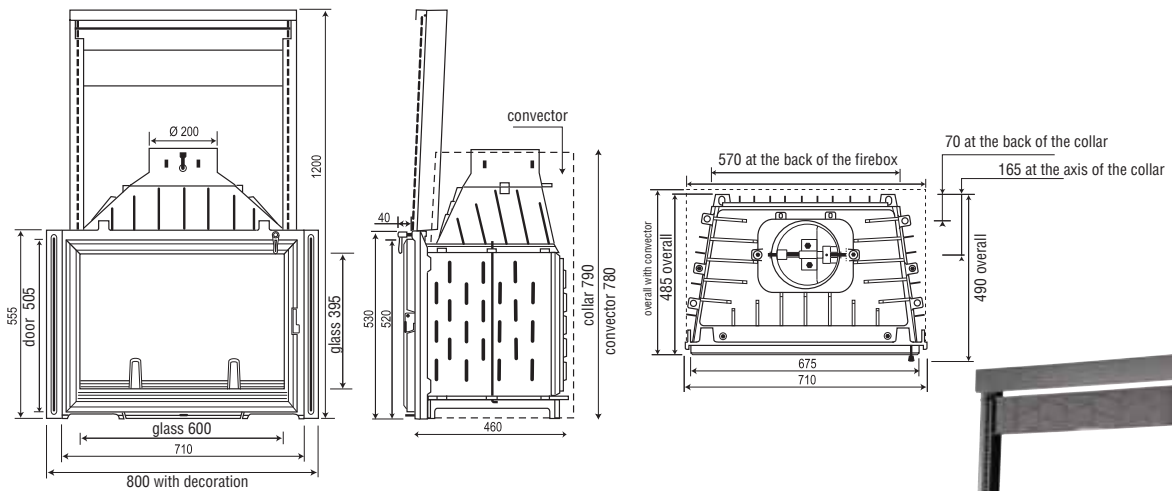
*according to EN 13229 norm

WITH DAFS

Nominal output	9,5 kW*
Efficiency DAFS	75,30%*
CO emission (% to 13% O2) DAFS	0,11%
Particle emissions	31 mg/Nm ³

WITHOUT DAFS

Nominal output	12 kW*
Efficiency	73,20%*
CO emission (% to 13% O2)	0,25%



3 glass sides



Right or left side



3 glass sides Black Line



Retractable door

AVAILABLE FROM 1 TO 3 GLASS SIDES



EUROPA 7 EVOLUTION

Ref.: F0400E

- Flue collar valve: with adjustable sealing
- Swing-door: the door is blocked when the valve is closed
- Retractable door : the valve automatically opens at the opening of the door.

OPTIONS:

- Retractable door
- Convector
- cast iron door or black line door
- Air distribution (with double combustion only)
- Adapter for double combustion connection Ref : A0210
- Adapter for air distribution connection Ref : A0211

Exit Ø 20 cm



Facade	71 cm
Logs up to	55 cm
Weight	155 kg basic version

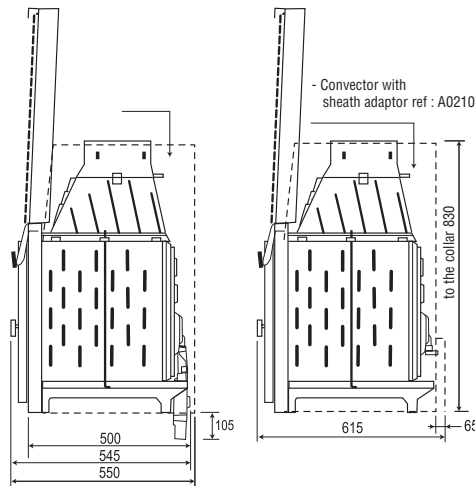
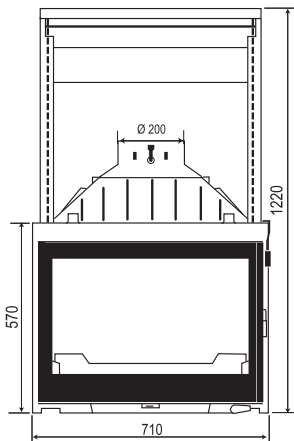
*according to EN 13229 norm

WITH DAFS

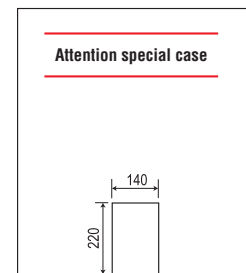
Nominal output	9,5 kW*
Efficiency DAFS	75,3%*
CO emission (% to 13% O2) DAFS	0,11%
Particle emissions	31 mg/Nm ³

WITHOUT DAFS

Nominal output	12 kW*
Efficiency	73,20%*
CO emission (% to 13% O2)	0,23%



- Simple double combustion with adaptor.



Left or right side glasses



3 glass sides - cast iron door



Model with cast iron door and convector (delivered with 2 caps and 2 sleeves Ø 125)

BLACK
line

DAFS

EUROPA 7 EVOLUTION PLUS

Ref.: F0400EP

- Flue collar valve: with adjustable sealing
- Swing-door: the door is blocked when the valve is closed
- Retractable door : the valve automatically opens at the opening of the door.
- Refractory ceramic panels

OPTIONS:

- Retractable door
- Convector
- cast iron door or black line door
- Air distribution (with double combustion only)
- Adapter for double combustion connection Ref : A0210
- Adapter for air distribution connection Ref : A0211

Exit Ø 20 cm

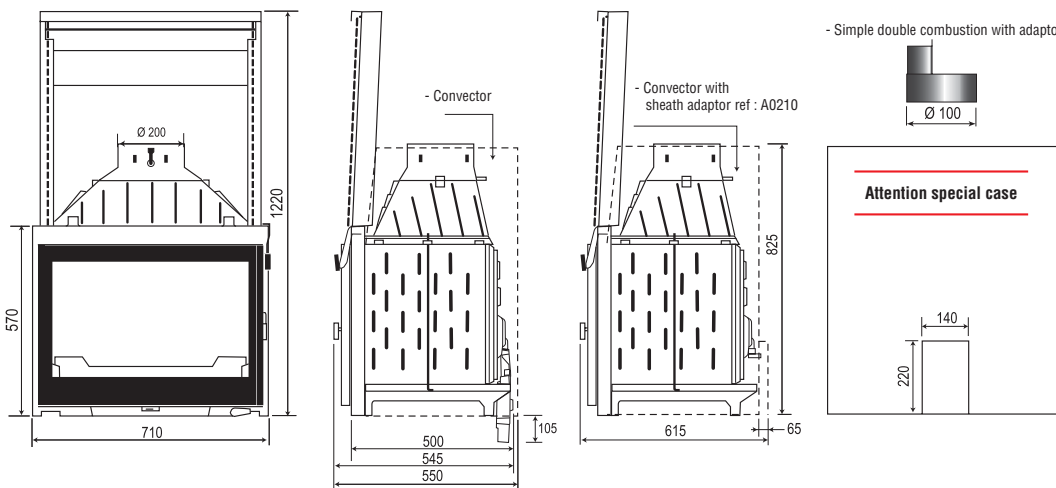


APPROVED WITH 2 LEVELS OF OUTPUT DAFS SYSTEM

Facade	70 cm
Logs	up to 45 cm
Nominal output	11 kW*
Efficiency	77,40%*
CO emission (% to 13% O2)	0,061%
Particle emissions	32 mg/Nm ³
Weight	205 kg

Nominal output	5,5 kW*
Efficiency	76,50%*
CO EMISSION (% TO 13% O2)	0,154%
Particle emissions	41 mg/Nm ³
Weight	205 kg

*according to EN 13229 norm



EUROPA 7 EVOLUTION VL

Ref.: F0401EVL

- Flue collar valve: with adjustable sealing
- Swing-door: the door is blocked when the valve is closed
- Retractable door : the valve automatically opens at the opening of the door.

Options:

- Retractable door
- Convector
- Air distribution (with double combustion only)
- Adapter for double combustion connection Ref : A0210
- Adapter for air distribution connection Ref : A0211

Exit Ø 20 cm



Facade	71 cm
Logs up to	55 cm
Weight	155 kg basic version

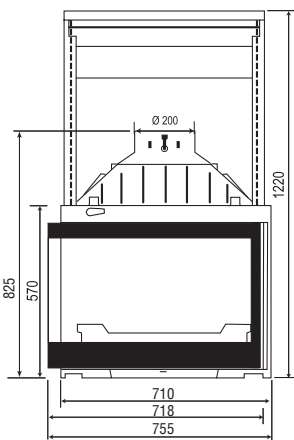
*according to EN 13229 norm

WITH DAFS

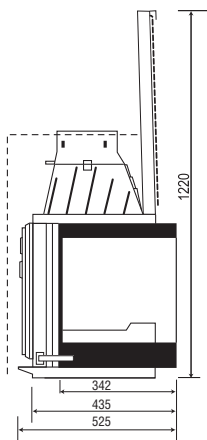
Nominal output	9,5 kW*
Efficiency DAFS	75,3%*
CO emission (% to 13% O2) DAFS	0,11%
Particle emissions	31 mg/Nm ³

WITHOUT DAFS

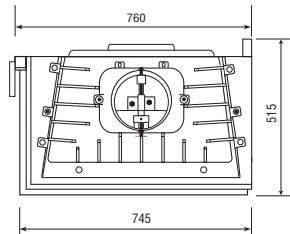
Nominal output	12 kW*
Efficiency	73,20%*
CO emission (% to 13% O2)	0,23%



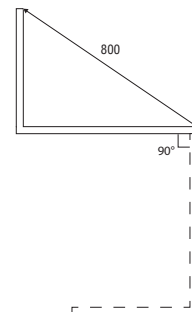
RETRACTABLE DOOR VERSION



RETRACTABLE DOOR VERSION



SWING DOOR VERSION



DOOR OPENING



Retractable door



Retractable door and convector



EUROPA 7 EVOLUTION PLUS IHS

Ref.: IHS04EP



The Revolution

Not compatible with :

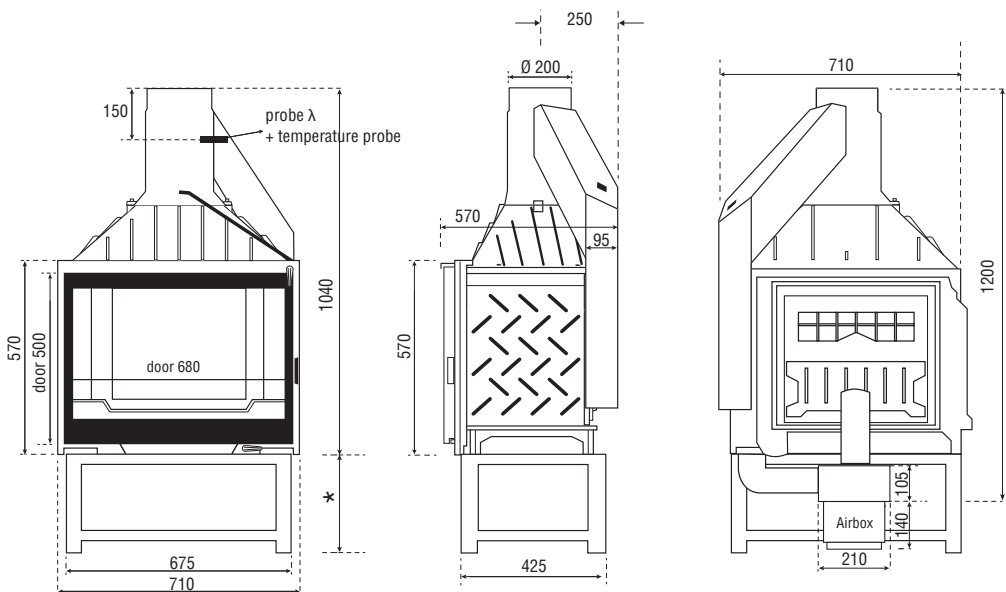
- Retractable door
- Convector

Exit Ø 20 cm



Nominal output	9 kW
Efficiency	78%
CO emission (% to 13% O2)	0,06%
Particle emission	33 mg/Nm ³
Facade	70 cm
Logs up to	45 cm
Weight	226 kg
Refractory ceramic panels	

* according to EN 13229 norm



* Adjusted at 450 (at the factory) / adjustable from 400 to 550



VISIO 7

Ref.: F1900

- Flue collar valve: with adjustable sealing
- Swing-door: the door is blocked when the valve is closed
- Retractable door : the valve automatically opens at the opening of the door.

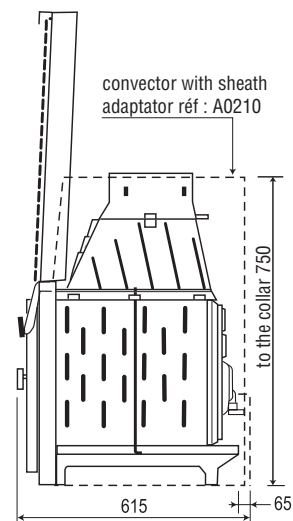
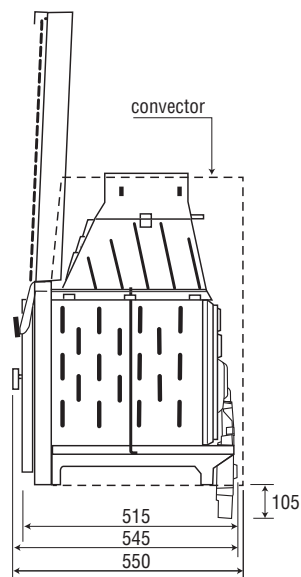
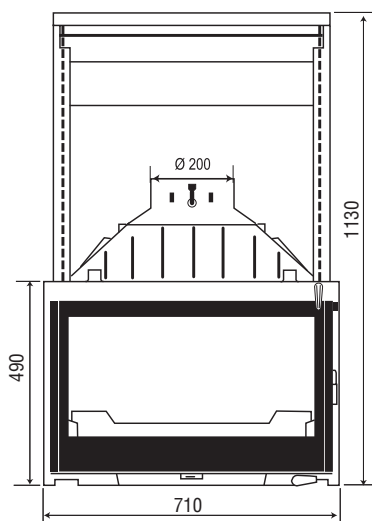
OPTIONS :

- Retractable door
- Convector
- Cast iron door or black line
- Air distribution (with double combustion only)
- Adapter for double combustion connection Ref : A0210
- Adapter for air distribution connection Ref : A0211

Nominal output	10 Kw
Efficiency	78,70%
CO emission (% to 13% O2)	0,11%
Particle emission	20 mg/Nm ³
Facade	71 cm
Logs up to	j45 cm
Weight	145 kg basic version

* according to EN 13229 norm

Exit Ø 20 cm



DAFS

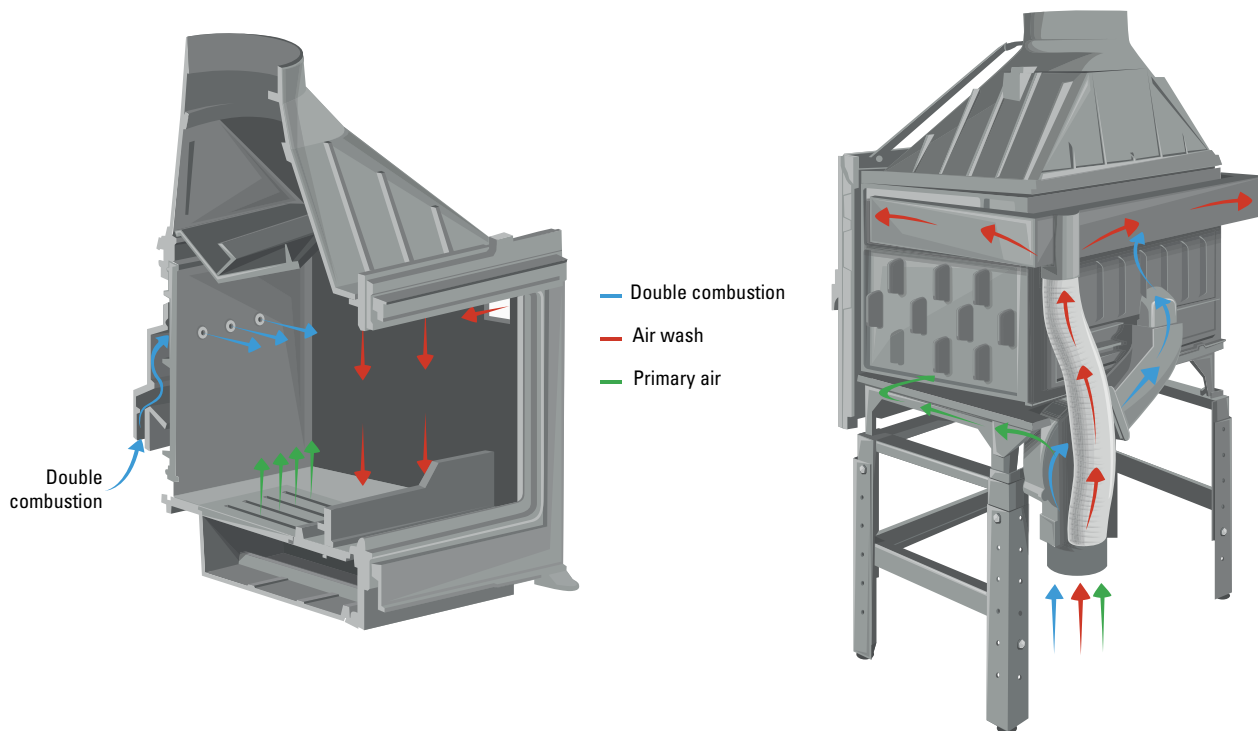
BLACK
line

NEW DOOR OPENING SYSTEM



CLEAN GLASS SYSTEM

Air wash connected to the outside on full tight version



VISIO 7 PLUS

Ref.: F1900P

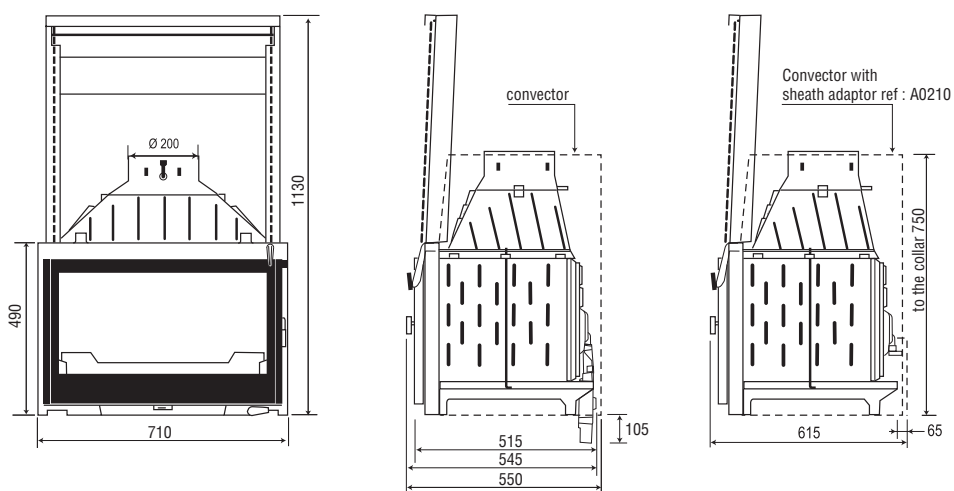
- Flue collar valve: with adjustable sealing
- Swing-door: the door is blocked when the valve is closed
- Retractable door : the valve automatically opens at the opening of the door.-
- Refractory ceramic panels

Exit Ø 20 cm



Nominal output	11 kW
Efficiency	77,40%
CO emission (% to 13% O2)	0,06%
Particle emission	32 mg/Nm ³
Facade	71 cm
Logs up to	45 cm
Weight	195 kg

* according to EN 13229 norm



VISIO 7 PLUS IHS

Ref.: IHS19P



The Revolution

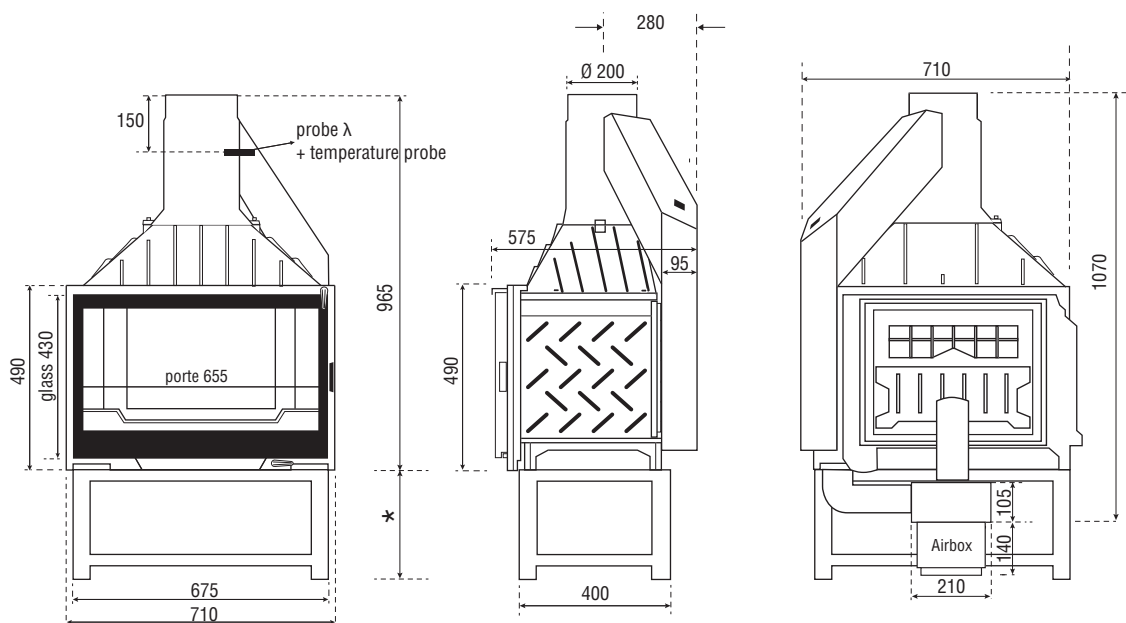
Not compatible with :

- Retractable door
- Convector

Nominal output	11 kW
Efficiency	77,40%
CO emission (% to 13% O ₂)	0,06%
Particle emission	32 mg/Nm ³
Facade	71 cm
Logs up to	45 cm
Weight	216 kg
Refractory ceramic panels	

* according to EN 13229 norm

Exit Ø 20 cm



* Adjusted at 450 (at the factory) / adjustable from 400 to 550



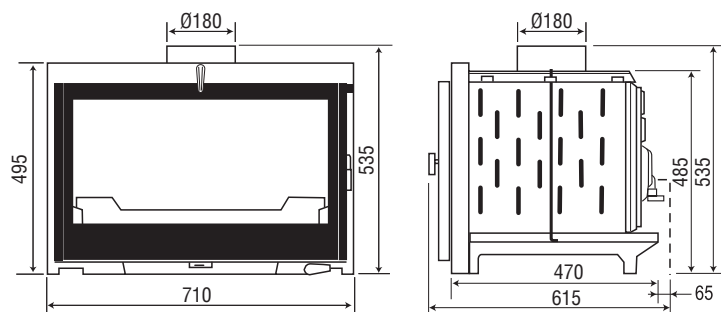
VISIO 7 insert

Ref.: F1900

- Flue collar valve: with adjustable sealing
- Swing-door: the door is blocked when the valve is closed

Nominal output *	10 kW
Efficiency	78,70%
CO emission (% to 13% O ₂)	0,11%
Particle emission	20 mg/Nm ³
Facade	L 71 x P 55 x H 61,5 cm
Logs	50 cm
Weight	145 kg basic version

*according to EN 13229 norm



VISIO 8

Ref.: F1800

- Flue collar valve: with adjustable sealing
- Swing-door: the door is blocked when the valve is closed
- Retractable door : the valve automatically opens at the opening of the door.

OPTIONS:

- Retractable door
- Convector
- Air distribution (with double combustion only)
- Adapter for double combustion connection Ref : A0210
- Adapter for air distribution connection Ref : A0211

Exit Ø 20 cm



Facade	80 cm
Logs up to	65 cm
Weight	169 kg basic version

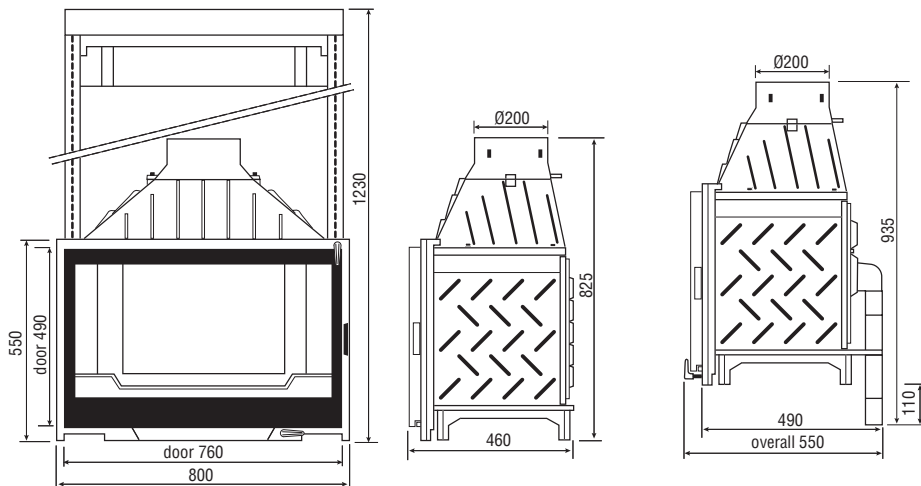
*according to EN 13229 norm

WITH DAFS

Nominal output	11 kW*
Efficiency DAFS	75%*
CO emission (% to 13% O ₂) DAFS	0,09%
Particle emission	32 mg/Nm ³

WITHOUT DAFS

Nominal output	15 kW*
Efficiency	76,50%*
CO emission (% to 13% O ₂)	0,18%



Retractable door and Convector



VISIO 8 PLUS

Ref.: F1800P

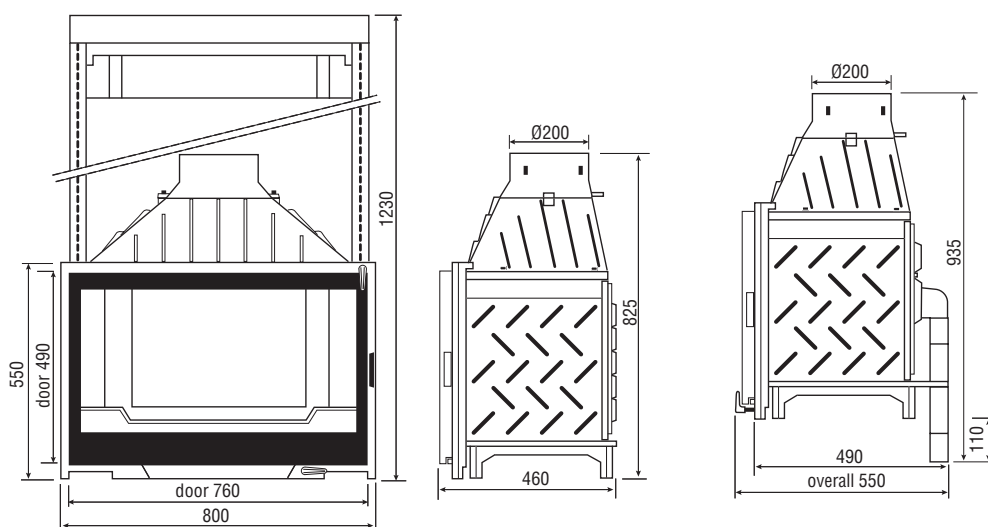
- Flue collar valve: with adjustable sealing
- Swing-door: the door is blocked when the valve is closed
- Retractable door : the valve automatically opens at the opening of the door.
- Refractory ceramic panels

OPTIONS:

- Retractable door
- Convector
- Air distribution (with double combustion only)
- Adapter for double combustion connection Ref : A0210
- Adapter for air distribution connection Ref : A0211

Nominal output *	11 kW
Efficiency	77,80%
CO emission (% to 13% O2)	0,11%
Particle emission	8 mg/Nm ³
Facade	80 cm
Logs up to	55 cm
Weight	220 kg

*according to EN 13229 norm



VISIO 8 PLUS IHS

Ref.: IHS18P



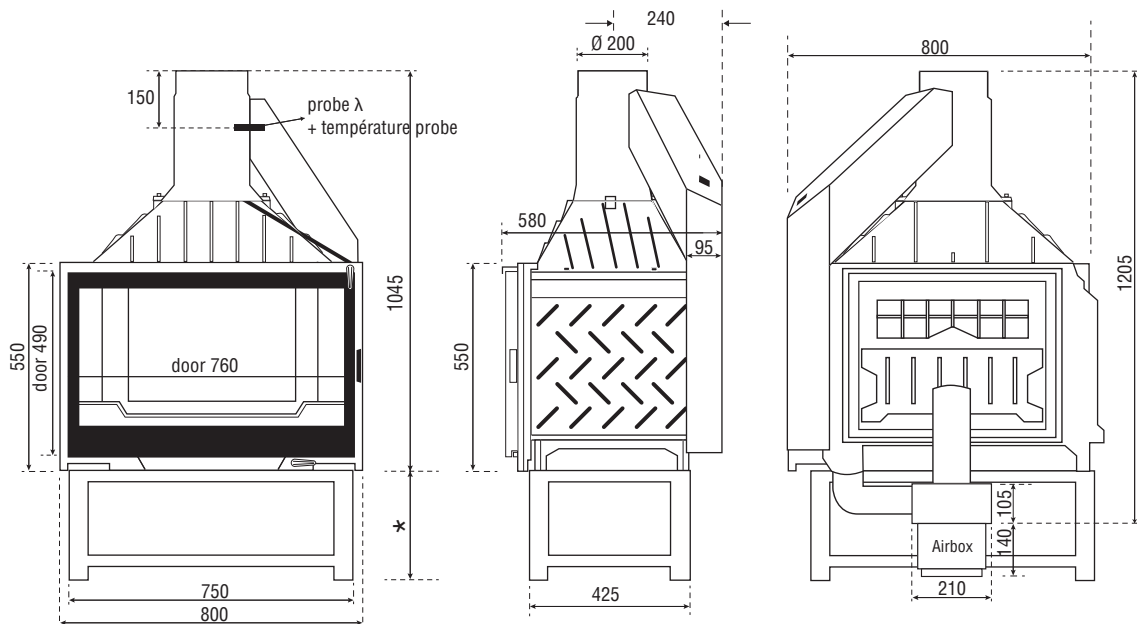
The Revolution

Not compatible with :
 - Retractable door
 - Convector

Nominal output *	10 kW
Efficiency	78%
CO emission (% to 13% O ₂)	0,06%
Particle emission	33 mg/Nm ³
Facade	80 cm
Logs up to	55 cm
Weight	248 kg
Refractory ceramic panels	

*according to EN 13229 norm

Exit Ø 20 cm



* Adjusted at 450 (at the factory) / adjustable from 400 to 550



PANO 7

Ref. : F1500

- Flue collar valve: with adjustable sealing
- Swing-door: the door is blocked when the valve is closed
- Retractable door : the valve automatically opens at the opening of the door.

OPTIONS:

- Retractable door
- Convector
- Brass or nickel finishing on cast iron door
- Decoration for facade 80 cm
- Double combustion



Facade	71 or 80 cm
Logs up to	55 cm
Weight	150 kg basic version

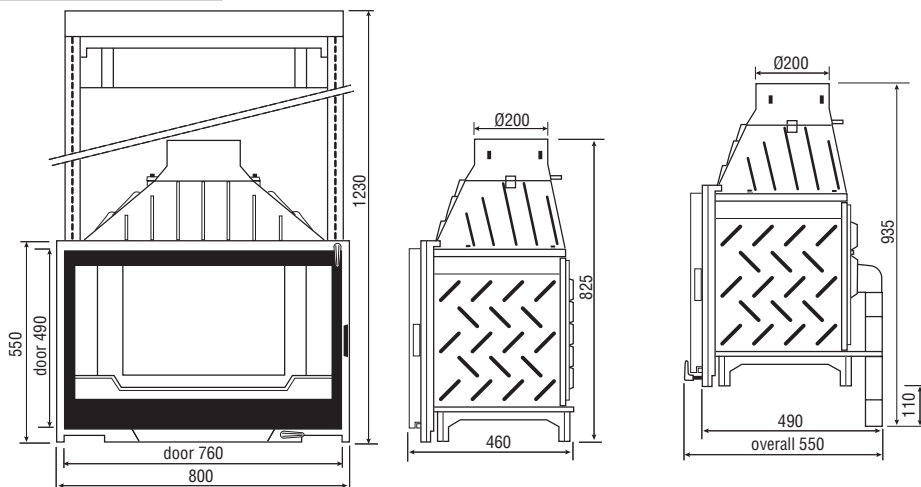
*according to EN 13229 norm

WITH DAFS

Nominal output	9,5 kW*
Efficiency DAFS	75,3%*
CO emission (% to 13% O2) DAFS	0,11%

WITHOUT DAFS

Nominal output	14 kW*
Efficiency	73,10%*
CO emission (% to 13% O2)	0,21%



Convactor



Retractable door



PANO 7 EVOLUTION

Ref. : F1500E

- Flue collar valve: with adjustable sealing
- Swing-door: the door is blocked when the valve is closed
- Retractable door : the valve automatically opens at the opening of the door.

OPTIONS:

- Retractable door
- Convector
- Air distribution (with double combustion only)
- Adapter for double combustion connection Ref : A0210
- Adapter for air distribution connection Ref : A0211



Facade	71 cm
Logs up to	55 cm
Heating volume (as an indication)	525 m ³
Weight	155 kg basic version

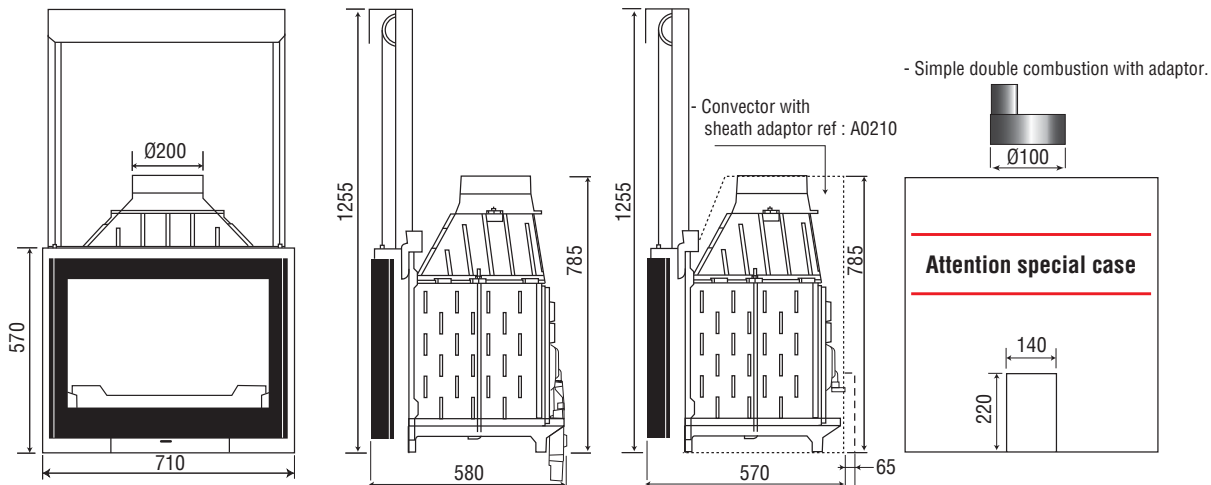
*according to EN 13229 norm

WITH DAFS

Nominal output	9,5 kW*
Efficiency DAFS	75,3%*
CO emission (% to 13% O ₂) DAFS	0,11%
Particle emissions	31 mg/Nm ³

WITHOUT DAFS

Nominal output	14 kW*
Efficiency	73,10%*
CO emission (% to 13% O ₂)	0,21%



Convector



Retractable door



PANO 7 EVO PLUS

Ref. : F1500EP

- Flue collar valve: with adjustable sealing
- Swing-door: the door is blocked when the valve is closed
- Retractable door : the valve automatically opens at the opening of the door.
- Refractory ceramic panels

OPTIONS:

- Retractable door
- Convector
- Air distribution (with double combustion only)
- Adapter for double combustion connection Ref : A0210
- Adapter for air distribution connection Ref : A0211

Exit Ø 20 cm



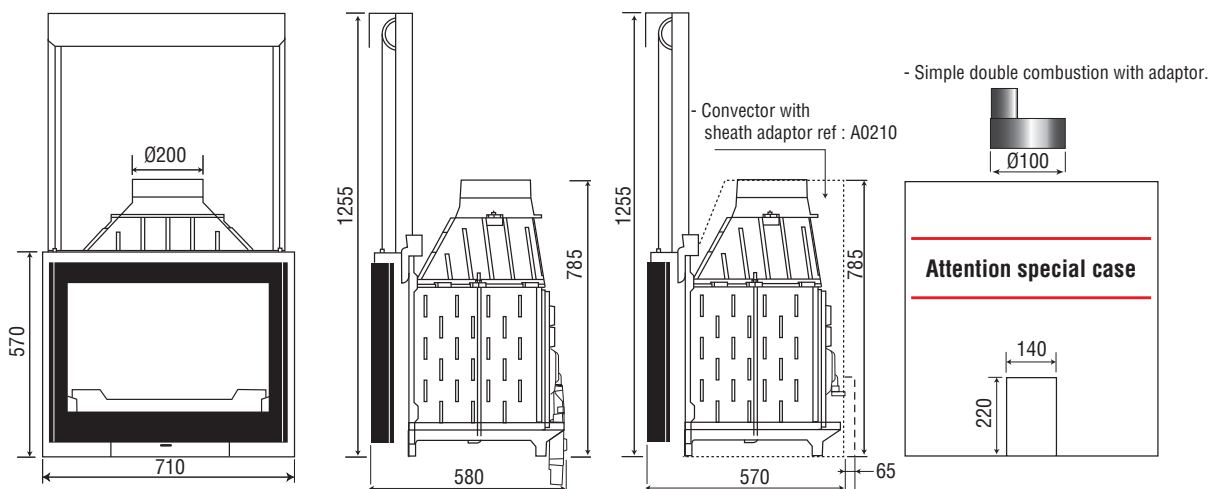
APPROVED WITH 2 LEVEL OF OUTPUT

Facade 70 cm
Logs up to 45 cm

Nominal output 11 kW*
Efficiency 77,4%*
CO emission (% to 13% O2) 0,061%
Particle emission 32 mg/Nm³

Nominal output 5,5 kW*
Efficiency 76,5%*
CO emission (% to 13% O2) 0,154%
Particle emission 41 mg/Nm³
Weight 205 kg

*according to EN 13229 norm.



Convector



Retractable door

BLACK
line

DAFS

PANORAMIC

Ref. : F0900

- Flue collar valve: with adjustable sealing
- Swing and retractable door: The valve automatically opens at the opening of the door.

OPTIONS:

- Retractable door
- Convector
- Decoration for Facade 80 cm
- Adapter for double combustion connection Ref : A0210

Exit Ø 20 cm



Facade 80 cm

Facade	71 ou 80 cm
Logs	60 cm
Heating volume (as an indication)	525 m ³
Weight	200 kg basic version

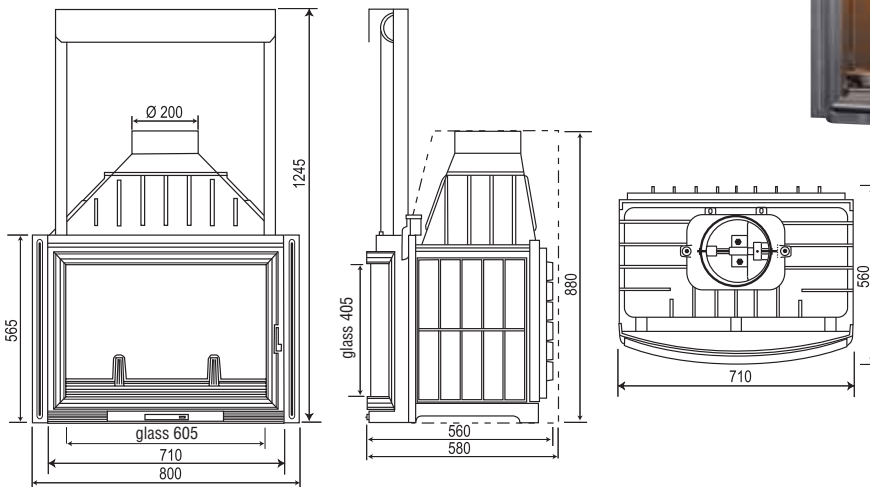
*according to EN 13229 norm

WITH DAFS

Nominal output	9,5 kW*
Efficiency DAFS	75,3%*
CO emission (% à 13% O ₂) DAFS	0,11%
particle emissions	31 mg/Nm ³

WITHOUT DAFS

Nominal output	15 kW*
Efficiency	74,70%*
CO emission (% à 13% O ₂)	0,27%



Retractable door and Convactor



Double face



3 glass sides



4 glass sides



Right or left glass side

AVAILABLE FROM 1 TO 4 GLASS SIDES

SUPER 8

Ref. : F0600

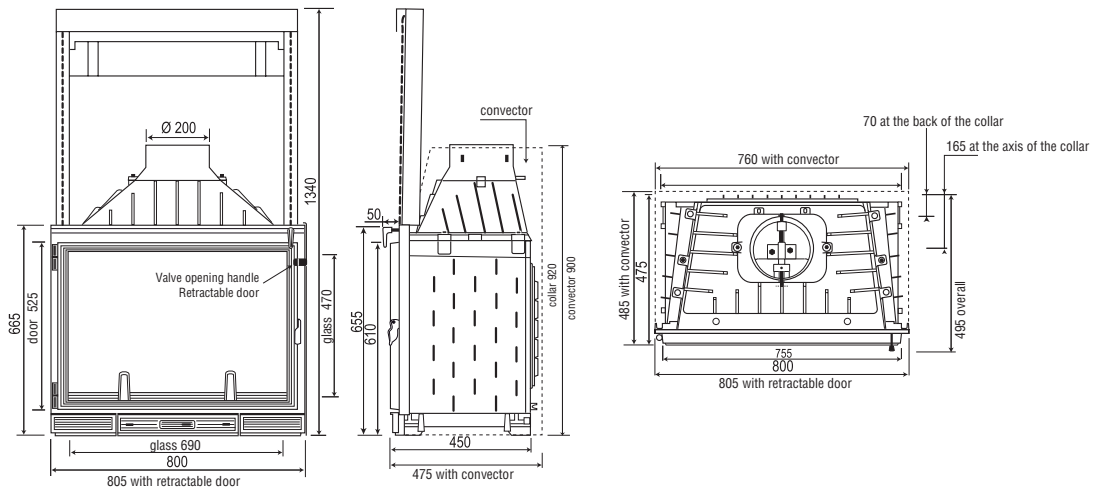
- Flue collar valve: with adjustable sealing
- Swing-door: the door is blocked when the valve is closed
- Retractable door : the valve automatically opens at the opening of the door.

OPTIONS:

- Retractable door
- Convector
- Brass or stainless steel decoration around the door
- Adapter for double combustion connection Ref : A0210

Facade	80 cm
Logs up to	65 cm
Heating volume (as an indication)	560 m ³
Weight	185 kg basic version
*according to EN 13229 norm	
WITH DAFS	
Nominal output	10 kW*
Efficiency DAFS	75%*
CO emission (% to 13% O2) DAFS	0,10%
particle emissions	32 mg/Nm ³
WITHOUT DAFS	
Nominal output	16 kW*
Efficiency	72,90%*
CO emission (% to 13% O2)	0,18%

Exit Ø 20 cm



Convector



Retractable door



SUPER 9

Ref. : F1300

- Flue collar valve: with adjustable sealing
- Swing-door: the door is blocked when the valve is closed
- Retractable door : the valve automatically opens at the opening of the door.

OPTIONS:

- Retractable door
- Convector
- Brass or stainless steel decoration around the door
- Adapter for double combustion connection Ref : A0210

Exit Ø 25 cm



Facade	91 cm
Logs	80 cm
Heating volume (as an indication)	630 m ³
Weight	230 kg basic version

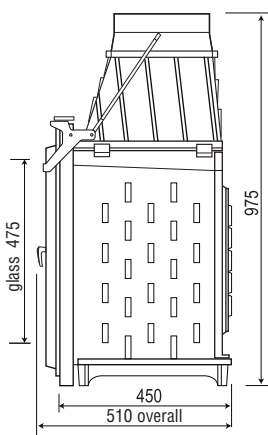
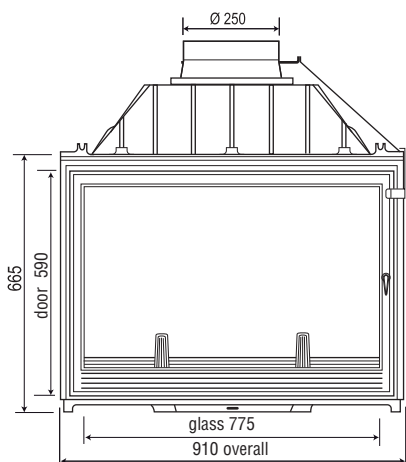
*according to EN 13229 norm

WITH DAFS

Nominal output	11 kW*
Efficiency DAFS	73,80%*
CO emission (% to 13% O ₂) DAFS	0,09%
particle emissions	32 mg/Nm ³

WITHOUT DAFS

Nominal output	18 kW*
Efficiency	70,80%*
CO emission (% to 13% O ₂)	0,19%



Swing door version



Convector



Retractable door

BLACK
line

DAFS

MULTIVISION 7000

Ref.: F0700

- Flue collar valve: with adjustable sealing
- Swing and retractable door: The valve automatically opens at the opening of the door.

OPTIONS:

- Retractable door
- Convector
- Brass or stainless steel decoration around the door
- Adapter for double combustion connection Ref : A0210

Exit Ø 20 cm



Facade	71 cm
Logs	60 cm
Heating volume (as an indication)	525 m ³
Weight	180 kg basic version

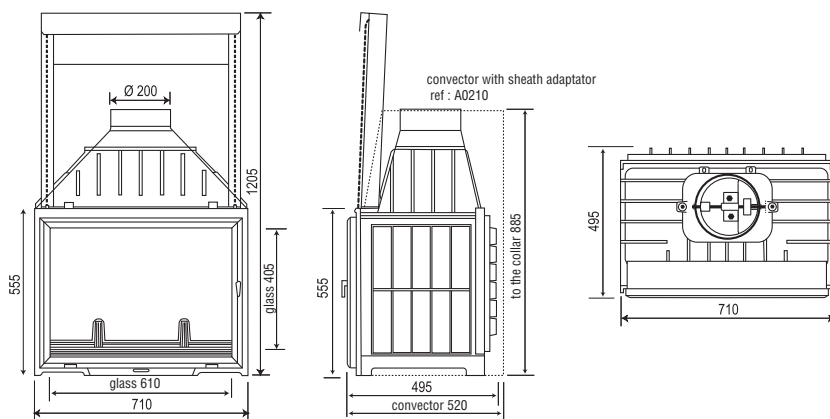
*according to EN 13229 norm

WITH DAFS

Nominal output	9,5 kW*
Efficiency DAFS	75,3%*
CO emission (% à 13% O ₂) DAFS	0,11%
particle emissions	31 mg/Nm ³

WITHOUT DAFS

Nominal output	15 kW*
Efficiency	74,70%*
CO emission (% à 13% O ₂)	0,27%



Retractable door and black line glass options

AVAILABLE FROM 1 TO 4 GLASS SIDES



3 glass sides



Right or left glass side



4 glass sides



Double face



Convector

BLACK
line

DAFS

MULTIVISION 8000

Ref.: F0800

- Flue collar valve: with adjustable sealing
- Swing-door: the door is blocked when the valve is closed
- Retractable door: the valve automatically opens at the opening of the door.

Exit Ø 20 cm for simple face version
or Ø 25 cm for other versions only

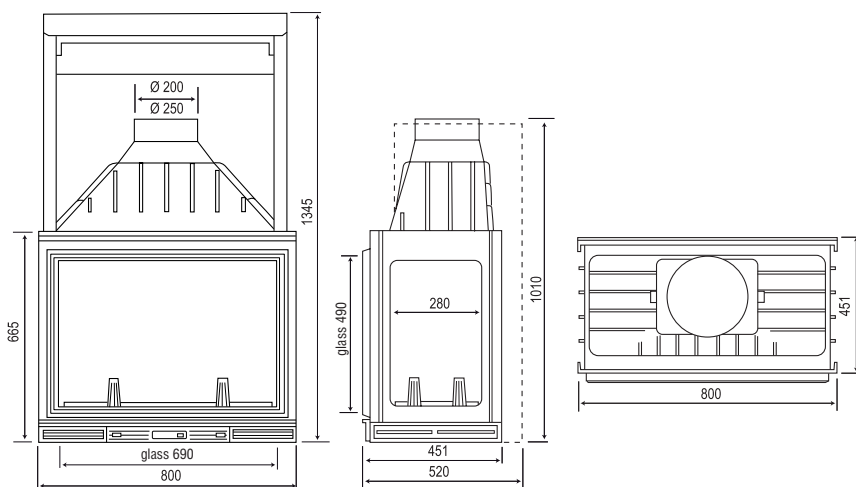
OPTIONS:

- Retractable door
- Convector
- Brass or stainless steel decoration around the door



Nominal output *	11 - 16 kw
Efficiency	72,90%
CO emission (% to 13% O2)	0,18%
Facade	80 cm
Logs	70 cm
Weight	230 kg basic version

*according to EN 13229 norm



AVAILABLE FROM 1 TO 4 GLASS SIDES



Face



3 glass sides



4 glass sides



Right glass side



Retractable door and Convector

Firebox producing hot water for central heating
 Cast iron firebox Multivision 7000 equipped with a steel water exchanger for central heating.
 The water circuit is located inside the smoke chamber.
 It is heated by the passage of combustion gases.
 The cooling coil ensures the safety of the hot water circuit overheating.

MULTIVISION 7000 HYDRO

Ref.: H07

Nominal output *	19,7 kW
Thermal power	12,40 kW
Efficiency	72,03%
CO emission (% to 13% O2)	0,30%
Facade	71 cm
Logs	60 cm
Weight	260 kg

*according to EN 13229 norm

- Only swing-door version
- Standard cast iron door
- Black line door as option
- Brass or stainless steel decoration around the door
- Double combustion as option
- Glass sides as option (not black line)
- Available in double face version
- Not available with convector

MULTIVISION 8000 HYDRO

Ref.: H08

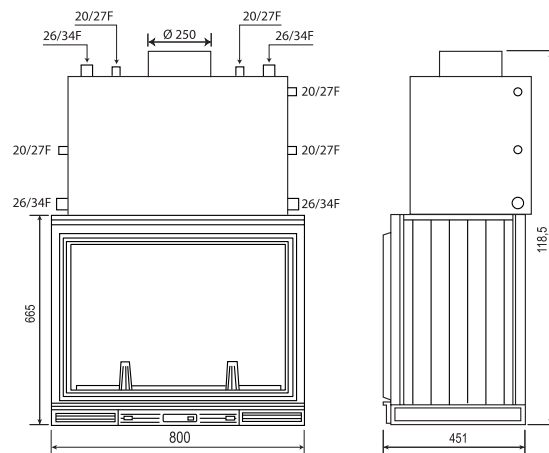
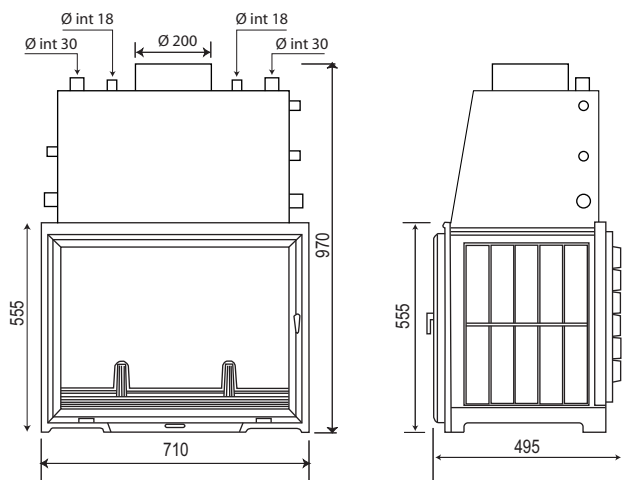
Nominal output *	23,5 kW
Thermal power	14,3 kW
Efficiency	73%
CO emission (% to 13% O2)	0,084%
Facade	80 cm
Logs	70 cm
Weight	345 kg

*according to EN 13229 norm

Exit Ø 20 cm



Exit Ø 25 cm

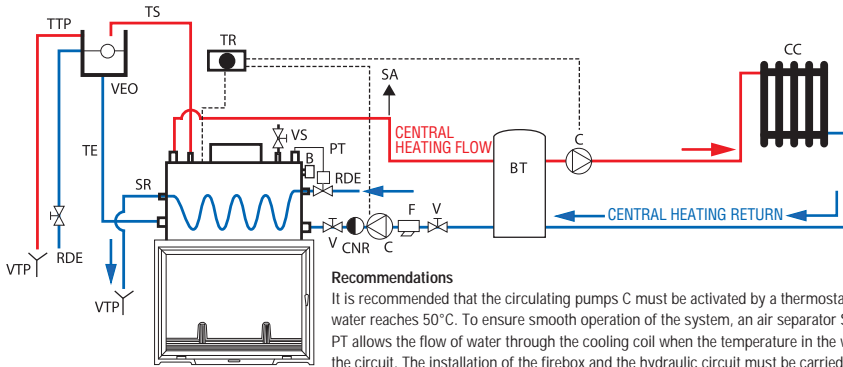


INSTALLATION INSTRUCTIONS OF MULTIVISION 7000 THERMO

The hydraulic circuit must be installed by plumbing and heating professionals. They are responsible for all connections.

VERY IMPORTANT

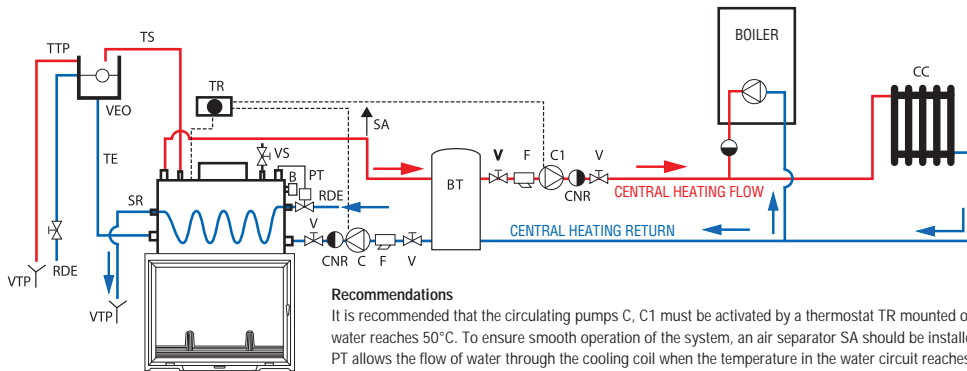
During the operation of the firebox, the circulator must function and the circuit must be filled with water.



1 DIAGRAM FOR THE INSTALLATION OF THE MULTIVISION 7000 / 8000 THERMO AS THE ONLY HEAT SOURCE
OPEN EXPANSION TANK

Recommendations

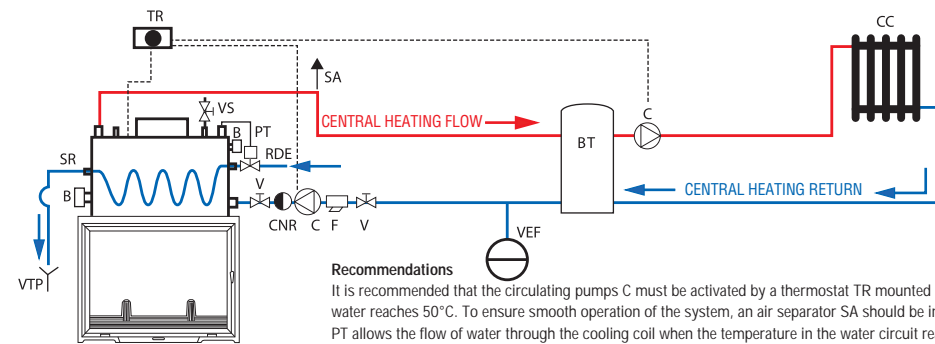
It is recommended that the circulating pumps C must be activated by a thermostat TR mounted on the water circuit when the heating water reaches 50°C. To ensure smooth operation of the system, an air separator SA should be installed. The thermal protective device PT allows the flow of water through the cooling coil when the temperature in the water circuit reaches 95°C, to avoid boiling water inside the circuit. The installation of the firebox and the hydraulic circuit must be carried out in compliance with the norms in force.



2 DIAGRAM FOR THE INSTALLATION OF THE MULTIVISION 7000/8000 THERMO COMBINED WITH A BOILER
OPEN EXPANSION TANK

Recommendations

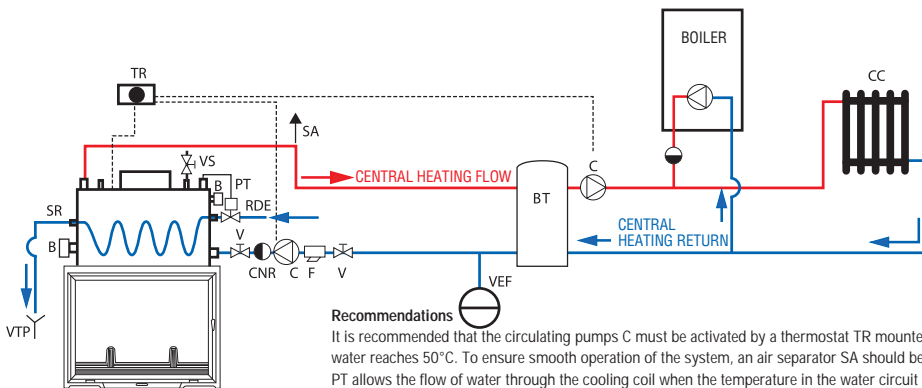
It is recommended that the circulating pumps C, C1 must be activated by a thermostat TR mounted on the water circuit when the heating water reaches 50°C. To ensure smooth operation of the system, an air separator SA should be installed. The thermal protective device PT allows the flow of water through the cooling coil when the temperature in the water circuit reaches 95°C, to avoid boiling water inside the circuit. The installation of the firebox and the hydraulic circuit must be carried out in compliance with the norms in force.



3 DIAGRAM FOR THE INSTALLATION OF THE MULTIVISION 7000/8000 THERMO AS THE ONLY HEAT SOURCE
CLOSED EXPANSION TANK

Recommendations

It is recommended that the circulating pumps C must be activated by a thermostat TR mounted on the water circuit when the heating water reaches 50°C. To ensure smooth operation of the system, an air separator SA should be installed. The thermal protective device PT allows the flow of water through the cooling coil when the temperature in the water circuit reaches 95°C, to avoid boiling water inside the circuit. The installation of the firebox and the hydraulic circuit must be carried out in compliance with the norms in force.



4 DIAGRAM FOR THE INSTALLATION OF THE MULTIVISION 7000/8000 THERMO COMBINED WITH A BOILER
CLOSED EXPANSION TANK

Recommendations

It is recommended that the circulating pumps C must be activated by a thermostat TR mounted on the water circuit when the heating water reaches 50°C. To ensure smooth operation of the system, an air separator SA should be installed. The thermal protective device PT allows the flow of water through the cooling coil when the temperature in the water circuit reaches 95°C, to avoid boiling water inside the circuit. The installation of the firebox and the hydraulic circuit must be carried out in compliance with the norms in force.

Legend:

BT : Buffer storage tank - C : circulating pump - C1 : heating circulating pump - CC : heating circuit (radiators) - CNR : check valve - EC : heat exchanger - F : filter - PT : thermal protective device - RDE : water supply - SA : air separator (recommended) - SR : cooling coil - TE : expansion pipe - TR : thermostat - TS : safety pipe - TTP : overflow pipe - V : valve - VS : safety valve - VEO : open expansion tank - VTP : outflow funnel - B : cap

Important:

The Multivision 7000/8000 Thermo is a boiler with outstanding techniques for a perfect safety. The installation must be realized by plumbing and heating professionals. The manufacturer is not responsible in the event of disaster or thermal results not reached in the case of an installation not carried out in accordance with good professional practice.

During the operation of the firebox, the circulator must function and the circuit must be filled with water.

An access hatch is obligatory for any technical intervention.

HEXA 7

Ref.: F1000

- Flue collar valve with adjustable sealing
- **Swing and retractable door:** The valve automatically opens at the opening of the door.

OPTIONS:

- Retractable door
- Convector
- Brass or stainless steel decoration around the door
- Adapter for double combustion connection Ref : A0210

Exit Ø 20 cm



Facade	71 cm
Logs up to	55 cm
Heating volume (as an indication)	490 m ³
Weight	170 kg basic version

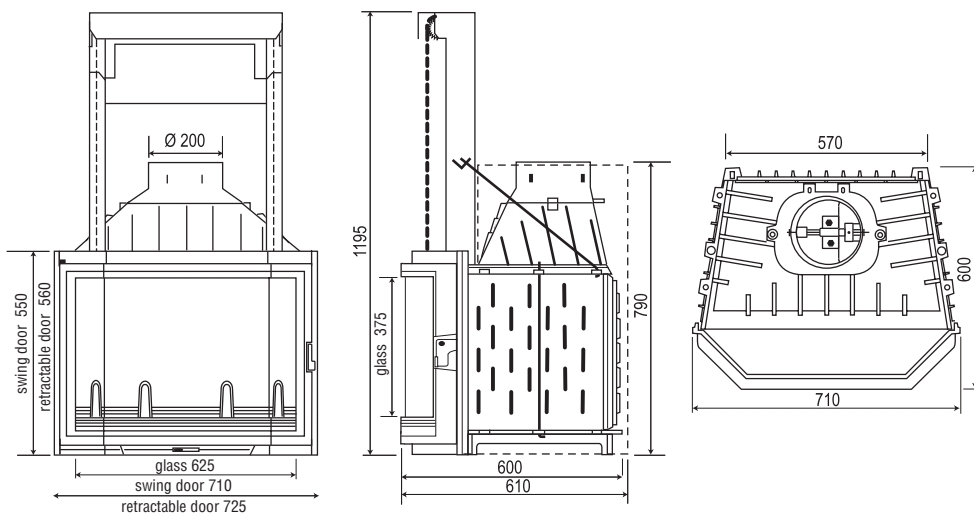
*according to EN 13229 norm

WITH DAFS

Nominal output	9,5 kW*
Efficiency DAFS	75,30%*
CO emission (% à 13% O ₂) DAFS	0,11%
Particle emissions	31 mg/Nm ³

WITHOUT DAFS

Nominal output	14 kW*
Efficiency	73,10%*
CO emission (% à 13% O ₂)	0,21%



Retractable door



Convector



HEXA 8

Ref.: F1100

- Flue collar valve with adjustable sealing
- **Swing and retractable door:** The valve automatically opens at the opening of the door.

OPTIONS:

- Retractable door
- Convector
- Brass or stainless steel decoration around the door
- Adapter for double combustion connection Ref : A0210

Exit Ø 20 cm / 25 cm



Facade	80 cm
Logs	65 cm
Heating volume (as an indication)	560 m ³
Weight	215 kg basic version

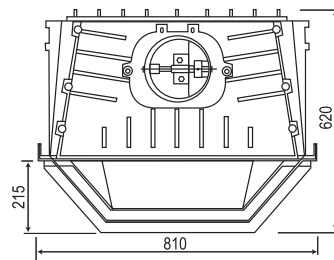
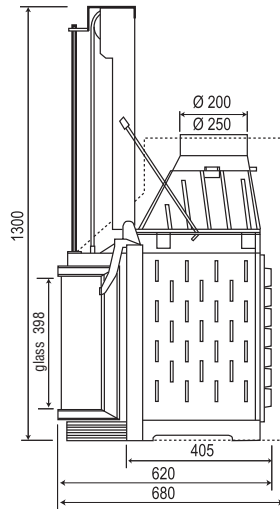
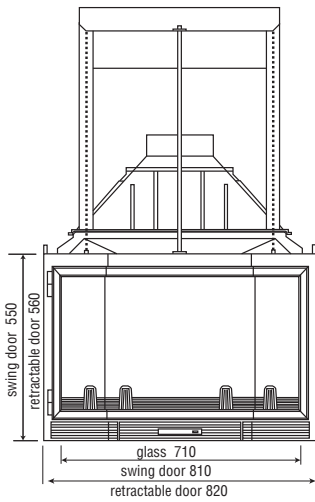
*according to EN 13229 norm

WITH DAFS

Nominal output	10 kW*
Efficiency DAFS	75%*
CO emission (% à 13% O ₂) DAFS	0,10%
Particle emissions	32 mg/Nm ³

WITHOUT DAFS

Nominal output	16 kW*
Efficiency	72,90%*
CO emission (% à 13% O ₂)	0,18%



Retractable door



Convector



INSERT 3000

Ref.: F0510

- Flue collar valve with adjustable sealing
- Swing-door: the door is blocked when the valve is closed

OPTIONS:

- Steel Convector
- Ventilation kit
- Brass or stainless steel decoration around the door

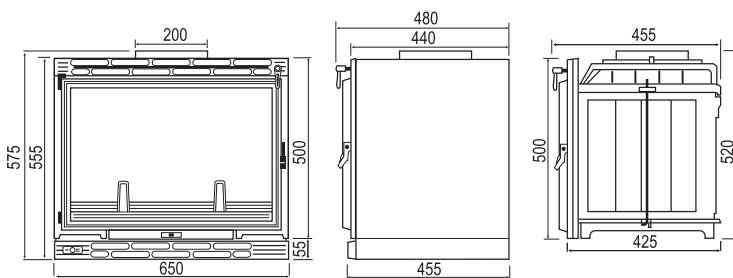
Exit Ø 20 cm



Firebox with steel convector and Ventilation kit

Nominal output *	7 - 10 kW
Efficiency	73,4 %
CO emission (% to 13% O2)	0,28%
Facade	L 65 x P 48 x H 57,5 cm
Logs up to	50 cm
Weight	140 kg

*according to EN 13229 norm

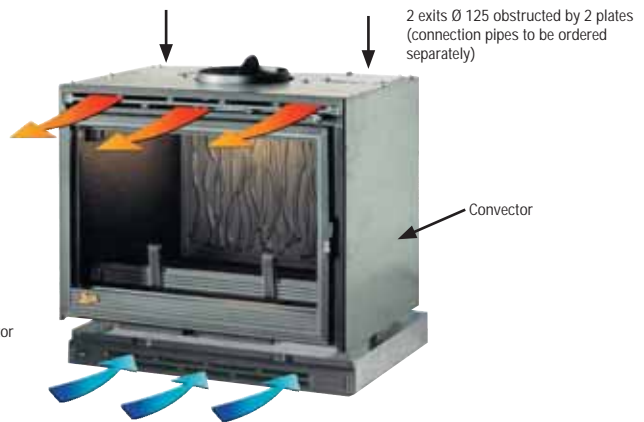


Firebox without option

Firebox Convector and ventilation kit



- 3 positions :
- Stop
 - 1st speed : 60 m³/gh
 - 2nd speed : 126 m³/h



For security reasons, it is compulsory to insulate the under side of the beam if it is in combustible materials. Do not stop the ventilator during the operation of the firebox.

INTEGRAL

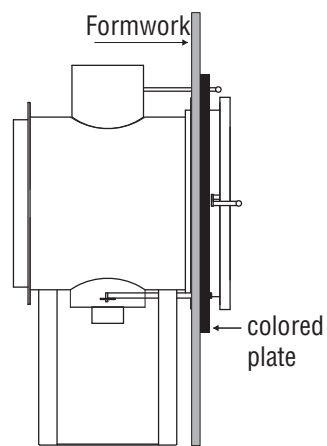
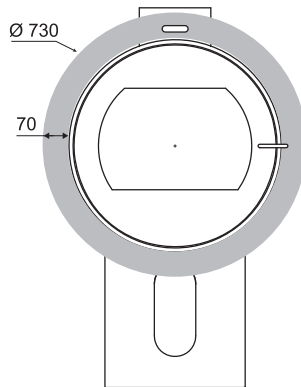
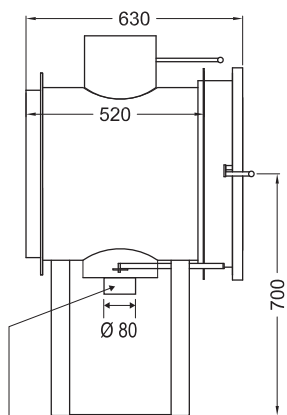
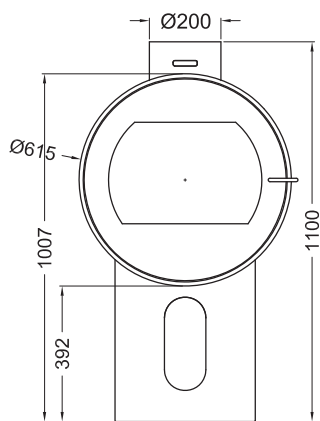
Ref.: FINTSF

- Outside air intake for combustive air Ø 80 mm
- Lacquered plate - RAL-color of your choice

Nominal output *	11,2 kW
Efficiency	77,9%
CO emission (% to 13% O2)	0,12%
Particle emissions	29 mg/Nm ³
Logs up to	50 cm
Weight	152 kg

*according to EN 13229 norm

Exit Ø 20 cm



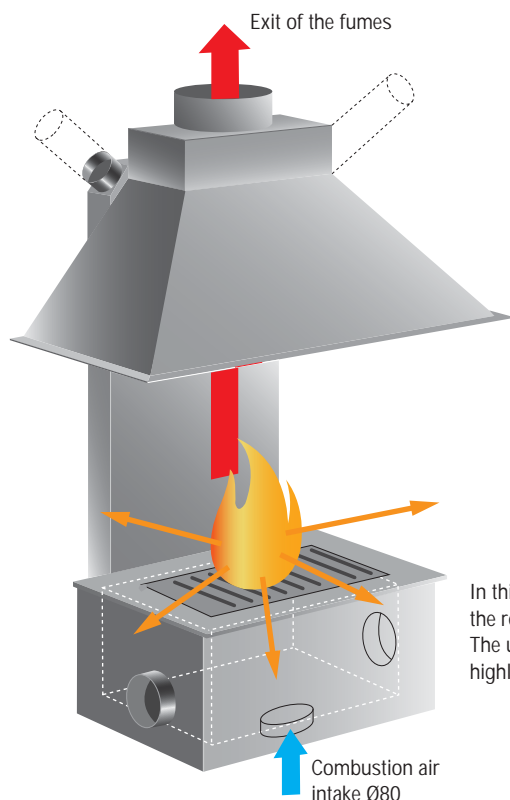
BackFIRE

Keep the real pleasure of a fire in a traditional fireplace,
and benefit from the advantages of a closed hearth:

- safety
- heat performances
- high efficiency (more than 75%)
- energy-savings

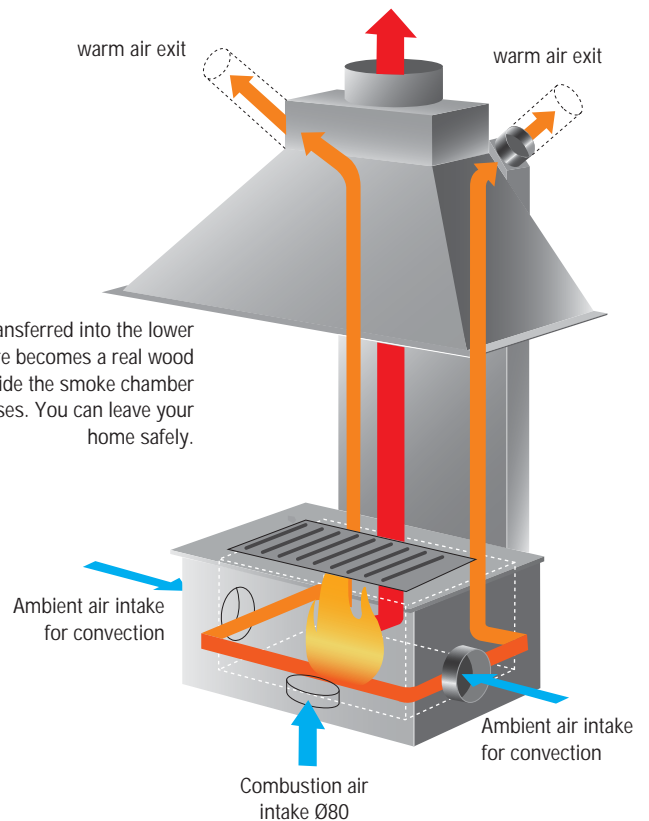


Functioning as traditional open fireplace mode



In this case, you will enjoy the real pleasure of a fire. The use of a fireguard is highly recommended.

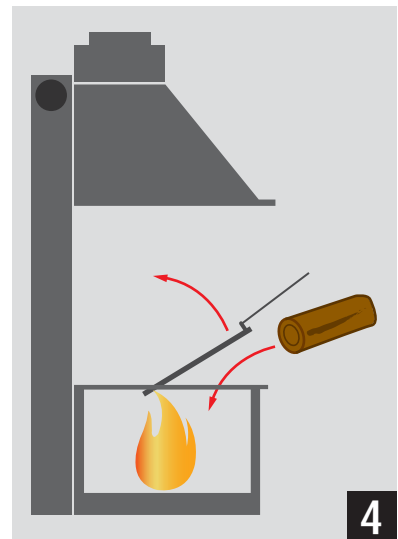
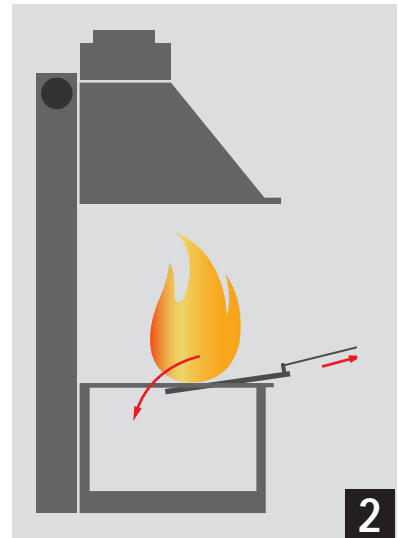
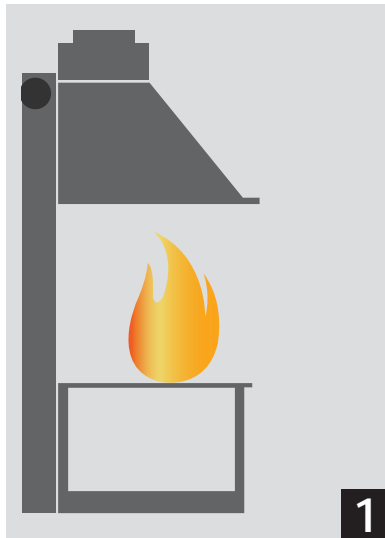
Closed fireplace mode



Once the fire is transferred into the lower part, the BackFire becomes a real wood stove. The valve inside the smoke chamber prevents heat losses. You can leave your home safely.

Use

- 1 The BackFire is on mode "open-fireplace"
- 2 Pull the hatch to your direction, tip off the logs and the embers inside the firebox in the lower part.
- 3 Close the plate and the valve of the smoke chamber. The fumes leave from the flue at the back.
This system prevents heat losses in the flue.
- 4 To load wood:
 - Pull the hatch
 - Tip off the hatch
 - Feed with wood



Technical informations



The appliances are equipped with the double combustion system.
 Primary air: supplies the firebox for the combustion of the wood
 Secondary air: ensures the combustion of the gases, controlled with right and left handles

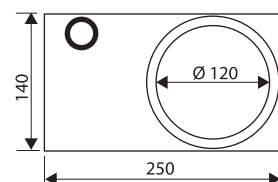
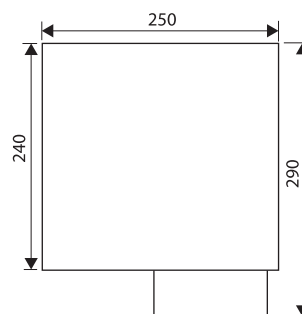


Radial Blower (option)

Dimensions : 250x240x140 mm
 Power supply : 230 v 50hZ
 Consumption : 108 w
 Debit : 280 m3/h
 Revolutions : 1420 rpm
 Connection : Ø125 mm
 Sound level : 45 db
 Probe for automatic activation
 Optional speed variator
 Length of cable : 3.10 m

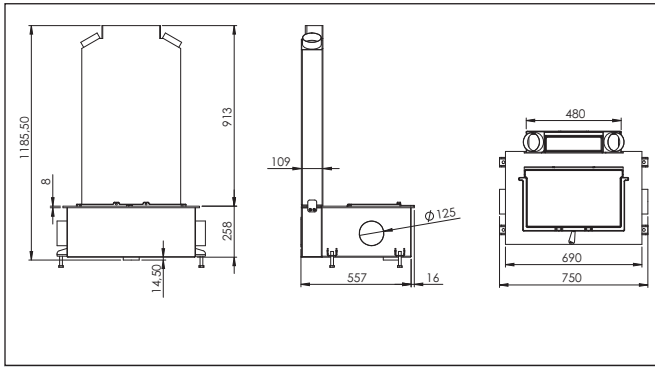


The appliances are equipped with adjustable feet. The level can be adjusted by nuts to guarantee the stability, and brings a space for the air circulation under the firebox.



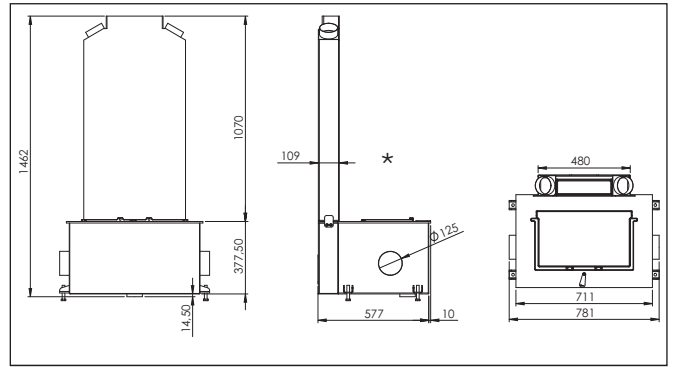
features - dimensions

BF 9 kW



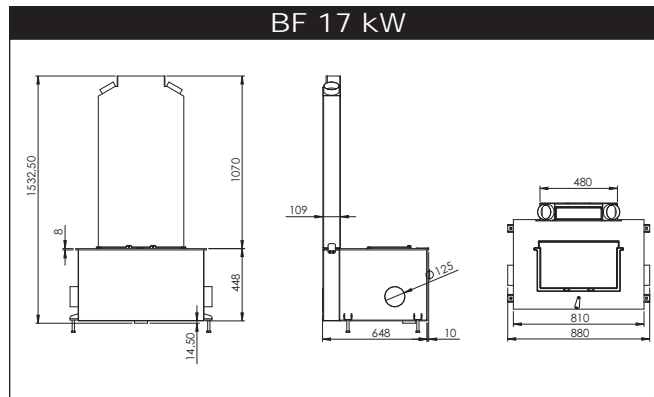
Nominal output	9 kW
Efficiency	79%
CO (CO% to 13% O2)	0,15%
Logs	40 cm
Weight	150 kg

BF 13 kW



Nominal output	13 kW
Efficiency	79%
CO (CO% to 13% O2)	0,15%
Logs	50 cm
Weight	170 kg

BF 17 kW

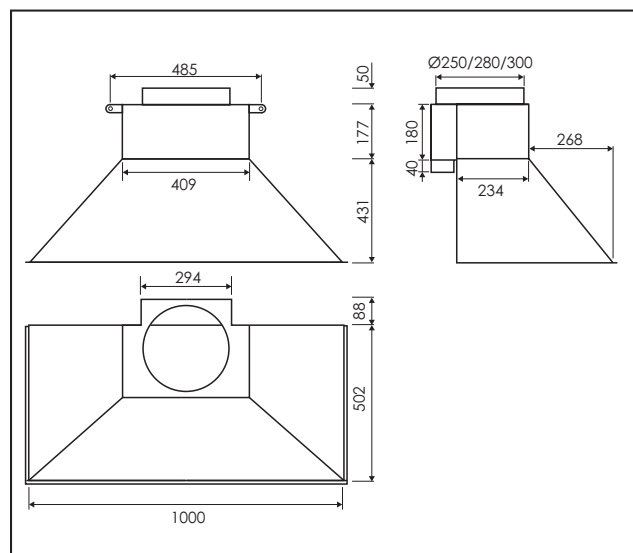


Nominal output	17 kW
Efficiency	77%
CO (CO% to 13% O2)	0,18%
Logs	50 cm
Weight	215 kg

* Appliance sold separately: the pipe must be cut to be adjusted according to the fireplace height.
Appliance sold with a fireplace : the pipe is factory-adjusted.

Heat exchanger

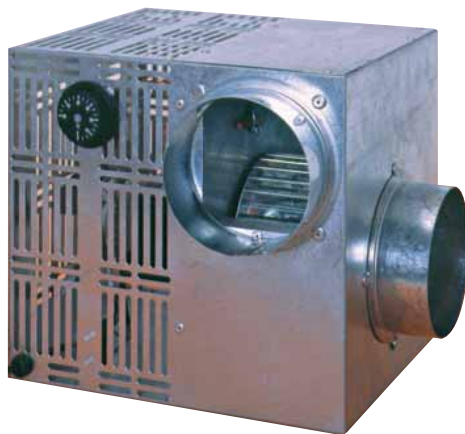
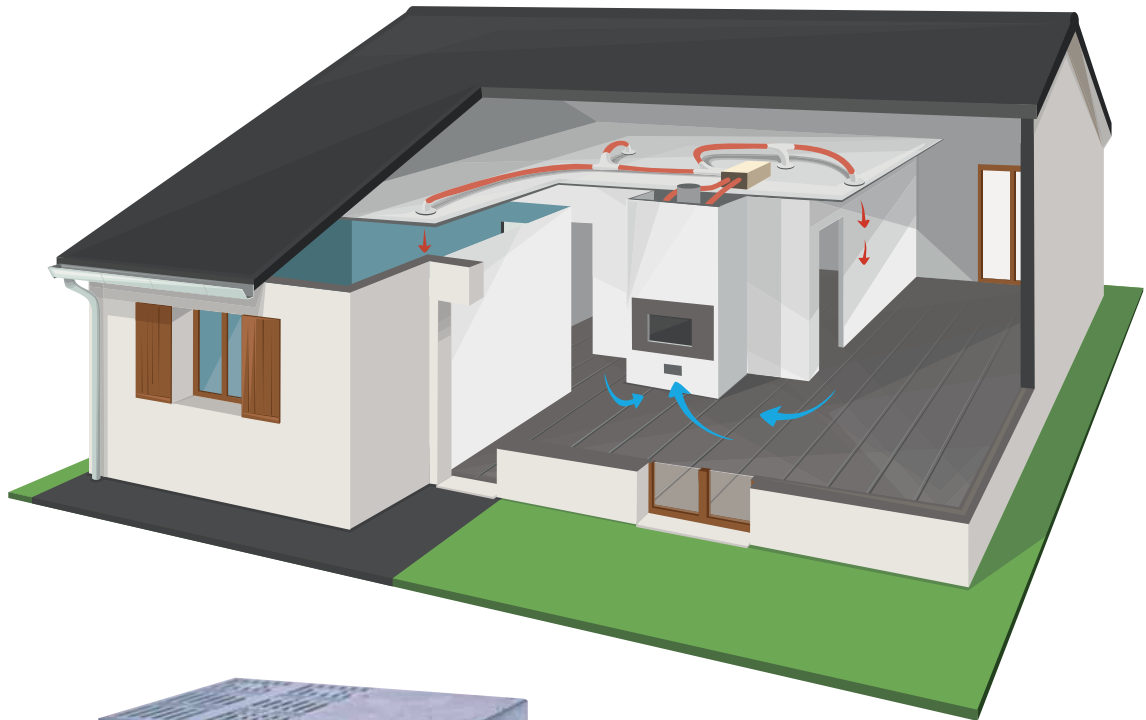
BF 9 kW / BF 13 kW / BF 17 kW



Multichauf

Distribution of the heat into adjoining rooms

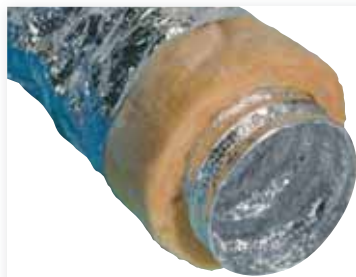
"Multichauf" draws and distributes the heat through insulated ducts to warm air grids.



Multichauf Box
2 powers : 400m³/h - 600m³/h



Adjustable warm air grid



Insulated duct



Y-shape connection



ENTER THE WORLD OF SEGUIN !



JOIN
THE **SEGUIN GENERATION** ...
AND STAY IN TOUCH
WITH SEGUIN :



www.youtube.com/user/SeguinDuteriez

Ideal to guide you towards the best choice for your fireplace, cooker, wood stove or pellet stove, **Seguin iPhone/Android application** can be downloaded free of charge on Apple Store and GooglePlay (key words : cheminée or Seguin).

Simple and practical, the optimized version is available on Smartphones and tablets under iOS and Android.

FEATURES :

- **Collection:** discover and find our products : fireplaces, stoves and cookers.
- **Simulation:** virtually try one of our appliance at your home thanks to the augmented reality. Choose a model, take a picture, adjust, save, and share.
- **Location:** Find your nearest store , find the contact information, locate it on a map and calculate the route.
- **Information:** receive information, an appointment, a quote , whenever you want, wherever you are .
- **Bonus:** make some time for relaxation setting by the fireside, equipped with a double combustion firebox, watching the video sequence as a bonus.



Seguin Duteriez Group


IMPORTANT RECOMMENDATIONS

The fireboxes give off a large amount of heat. The installation should be carried out in accordance with good professional practice particularly as regards insulation and the distances to be observed during the assembly relatively to inflammable materials. The liability of the manufacturer is limited to the specific guarantee on the various supplied parts making up the fireboxes. There is good reason to comply with our recommendations delivered with each appliance. The fireboxes comply with the European norm EN 13229.



Z.I. de Lhérat - 63310 Randan - France
+33 (0)4 70 56 16 00
www.seguin.fr
export@seguin.fr



 Made in France